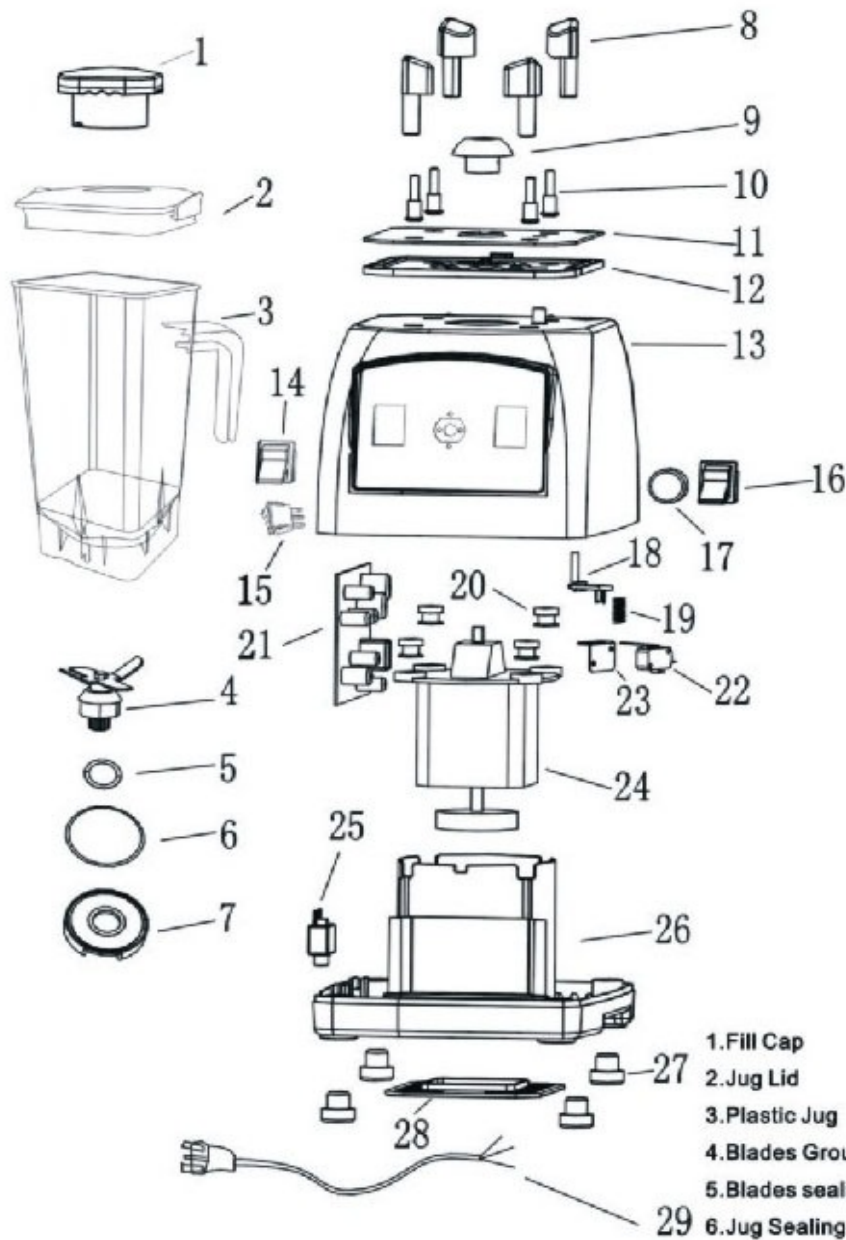


Exploded Diagram - CK0083



- | | |
|----------------------------|------------------------------|
| 1.Fill Cap | 16.Pulse Switch |
| 2.Jug Lid | 17.Speed Knob |
| 3.Plastic Jug | 18.Safety Switch Transmitter |
| 4.Blades Group | 19.Spring |
| 5.Blades sealing | 20.Shock Proof Ring |
| 6.Jug Sealing | 21.Circuit Board |
| 7.Nut-S/S | 22.Safety Switch |
| 8.Positioning Pin-Aluminum | 23.Safety Switch Fitting |
| 9.Clutch | 24.Motor |
| 10.Motor Postioning Screw | 25.Fuse |
| 11.Pad-S/S | 26.Foundation |
| 12.Rubber Pad | 27.Anti-Slip Rubber Feet |
| 13.Top Cover-ABS | 28.Air Outlet Panel |
| 14.On/Off Switch | 29.Power Cagle & Plug |
| 15.Power Switch | |